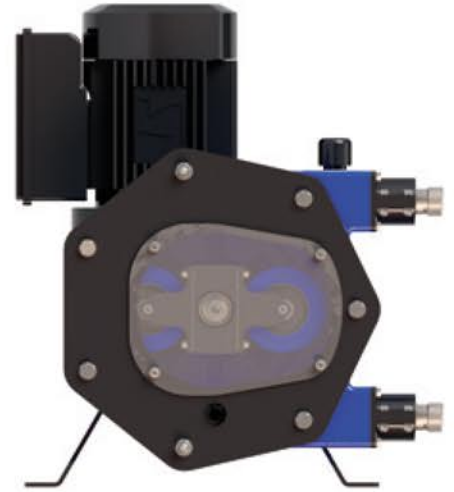
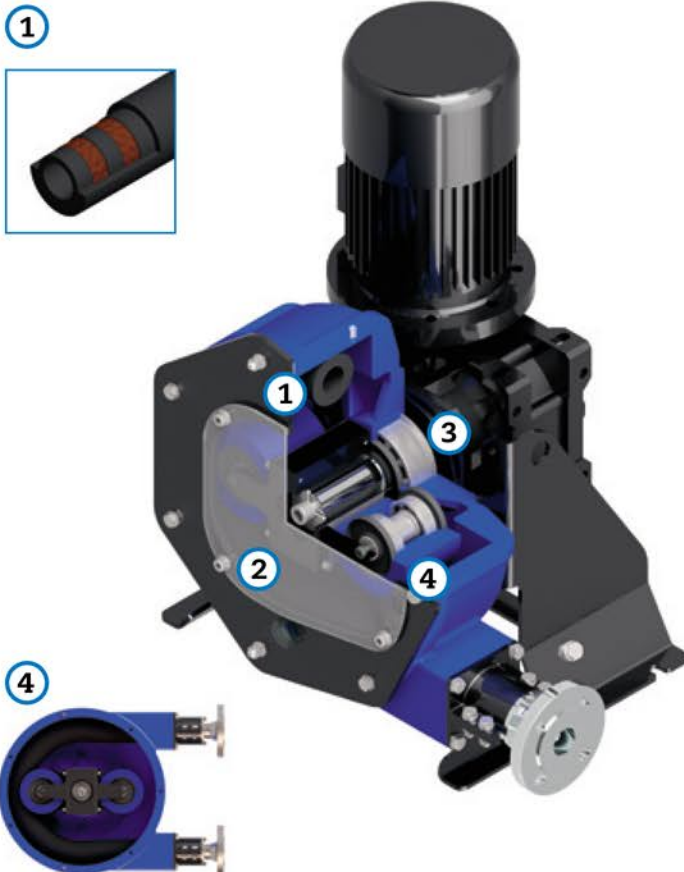


# I21 DATASHEET

TECHNICAL SPECIFICATIONS	MODEL I21
Max. Flow (continuous)	1100 l/h
Capacity	0,227 l/rev
Max. Discharge Pressure	10 bar
Max. Temperature	80 °C
Inner Diameter	22 mm.
Hose material	NR, EPDM, NBR (Food Grade) & Hypalon®
Connections material	AISI-316, PP, PVDF (PTFE)
Pump casing material	Alluminium (powder coated)
Rollers material	Hard alluminium (Anodized)



## MAIN FEATURES AND BENEFITS



### 1 LATEST TECHNOLOGY PERISTALTIC HOSE.

SAVING ON HOSE CONSUMPTION AND EASE OF INSTALLATION DOWNTIME OPTIMISATION.

### 2 EASE OF ASSEMBLY, OPERATION AND MAINTENANCE.

SAVING ON MAINTENANCE COSTS AND EASE OF ASSEMBLY. LESS DOWNTIME.

### 3 EXTREMELY HEAVY DUTY DESIGN FOR THE MOST DEMANDING APPLICATIONS UP TO 10 BAR.

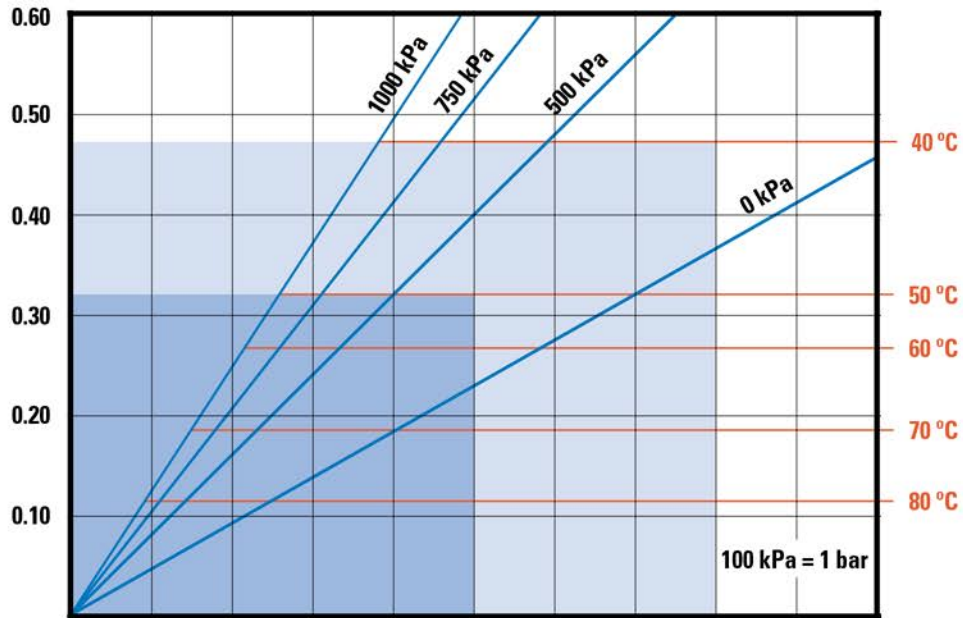
UNMATCHED PUMP LIFE AND EXCELLENT EQUIPMENT PERFORMANCE UNDER ANY OPERATING CONDITIONS HOWEVER DEMANDING.

### 4 XXL ROLLER TECHNOLOGY.

MAJOR ENERGY SAVINGS, HIGHER NUMBER OF HOSE WORKING HOURS AND EASE OF OPERATION.

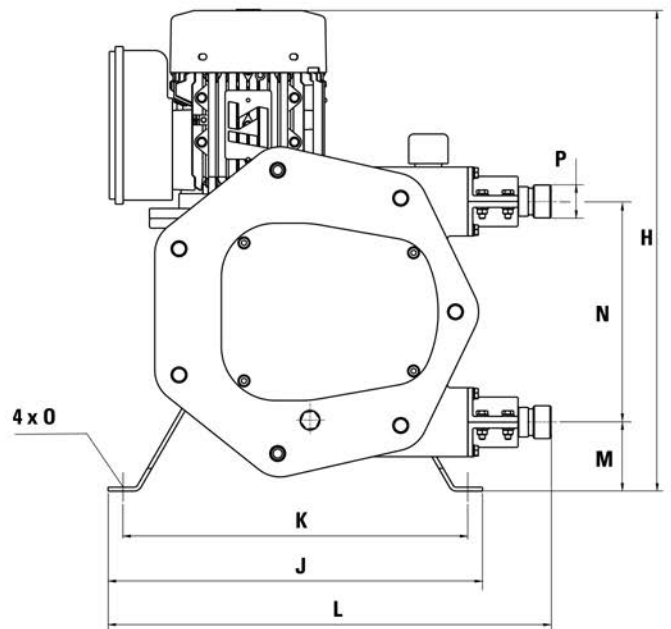
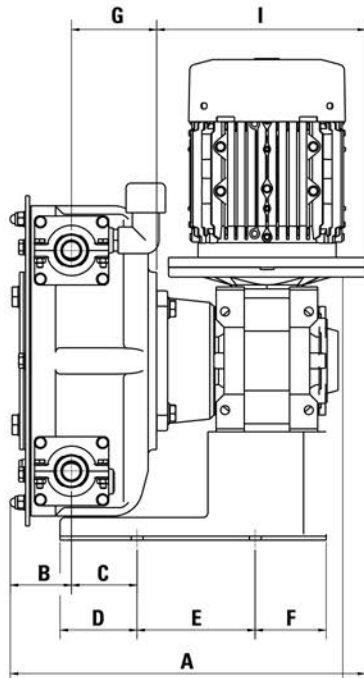
REQUIRED  
MOTOR POWER (KW)

PRODUCT  
TEMPERATURE (°C)



PUMP SPEED (RPM)	10	20	30	40	50	60	70	80	90	100
CAPACITY (L/H)	136	272	408	545	681	817	953	1090	1226	1362

PRESSURE (kPa)	0 kPa	500 kPa	750 kPa	1000 kPa
TORQUE (Nm)	45	75	100	120



MODEL	A*	B	C	D	E	F	G	H	I*	J	K	L	M	N	O	P
I21	360,6	62,1	66,5	78	120	72	86,5	488	212	380	350	449,5	70	224	12	BSP 1"

\*Depending on the driver, dimensions could change.

[www.ostechfluid.com](http://www.ostechfluid.com)  
[ostechfluidindia@gmail.com](mailto:ostechfluidindia@gmail.com)  
 095278 90446

Ostech Fluid Technologies  
 J-87, Sector 27, Pradhikaran,  
 Nigdi, Pune - 411044,  
 Maharashtra, India